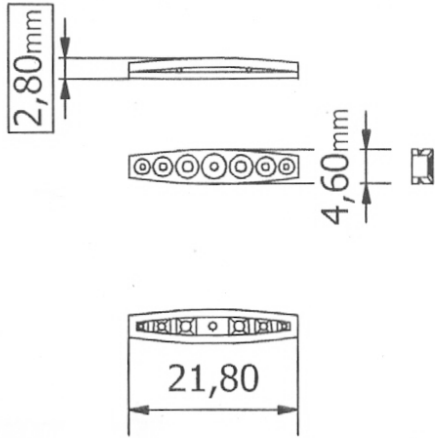
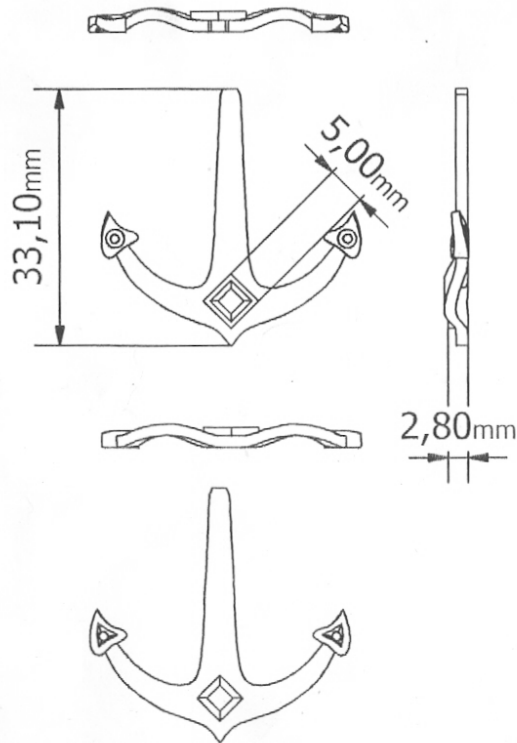


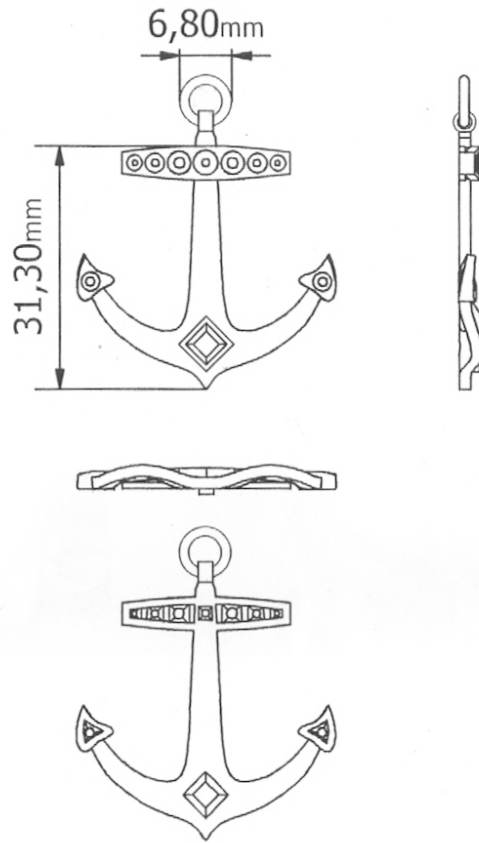
Module 1
5.5 hrs



Module 2
7 hrs

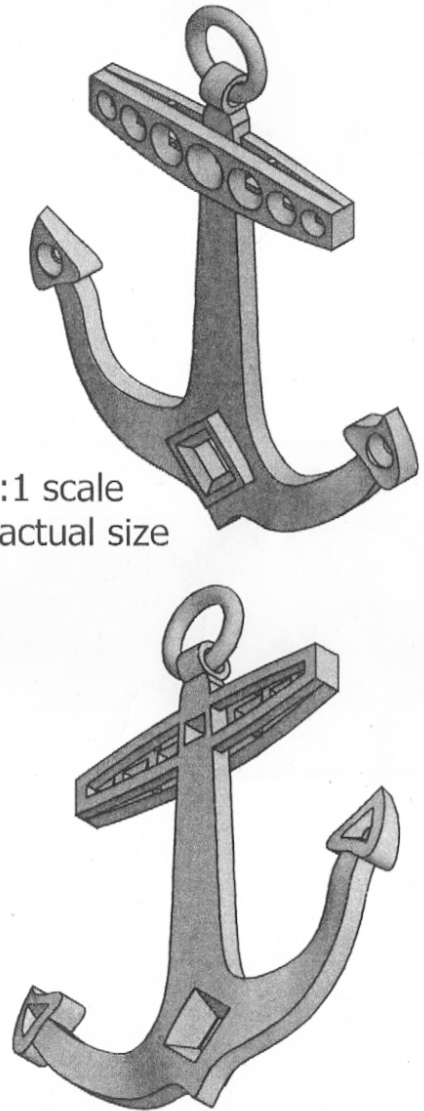


Module 3
25 4 hrs



all modules
assembled

2:1 scale
not actual size



Designed by STEVEN JINKS	Checked by	Approved by	Date	Date
SKILLS SHOW JEWELLERY TEST PROJECT 2015 (15.5 HRS)			skills show 2015 anchor test project	
			Edition	Sheet 1 / 1